

PART

NUMBER: LMX4644BJL3

Product Features

- Each output provides up to 4A current
- Wide input voltage range: 4V to 14V
- Output voltage: 0.6V to 5.5V (adjustable)
- Output current: Each channel provides up to 4A DC, 5A peak output current
- Operating frequency: 1MHz
- Current-mode control with fast transient response
- Parallel current sharing; single module can be paralleled for 16A output
- Soft-start and output voltage tracking
- External frequency synchronization
- Overcurrent and overheat protection
- Total ionizing dose (TID): $\geq 50\text{kRad (Si)}$
- Single event effect immunity: SET (LET) $\geq 37\text{MeV}\cdot\text{cm}^2/\text{mg}$; SEL, SEU, and SEB (LET) $\geq 37\text{MeV}\cdot\text{cm}^2/\text{mg}$

Functional Description

The radiation-hardened **LMX4644BJL3** is a four-channel step-down micro-module regulator with radiation-hardening specifications. It uses plastic packaging to meet full-temperature-range operation requirements. The control IC is fabricated using 0.18 μm BCD technology and housed in a BGA77 package with typical dimensions of 9mm \times 15mm \times 5.106mm. It operates within a typical ambient temperature range of -55°C to $+125^\circ\text{C}$. The input voltage range is 4V to 14V, and the output voltage range is 0.6V to 5.5V. It provides four-channel 4A current, and when the four channels are used in parallel, it can deliver up to 16A current on a single output. (L represents the total dose level, meeting Level L ($\geq 50\text{krad(Si)}$) specified in GJB2438B-2017; 3 represents the single event effect level as Level III ($\geq 37\text{MeV}\cdot\text{cm}^2/\text{mg}$). The radiation-hardening capability meets the requirements of commercial aerospace and 50% of traditional aerospace applications.)

The LMX46XX series products cover a wide range of variants, including standard versions, radiation-hardened versions, plastic-encapsulated and ceramic-encapsulated packages. They are available in multiple quality grades: industrial grade, extended temperature grade, M1 grade, and N1 grade, with 24 models in total.

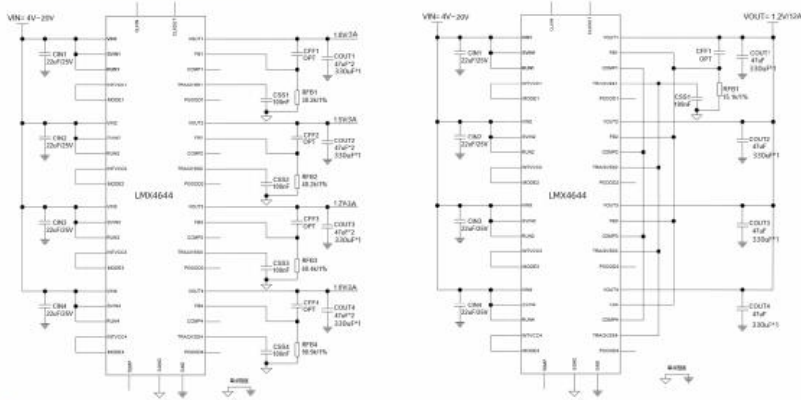
All products are independently developed and designed using original forward architecture with wafer fabrication and packaging completed in China. They have obtained national certification for independent and controllable core technologies, successfully breaking the “bottleneck” in high- end power chip development.

These products serve as pin- to- pin replacements for the Linear Technology (ADI) LTM46XX series, while outperforming them in key parameters. The company attaches great importance to product quality and has established a comprehensive quality system, certified with ISO9001 and GJB9001C.

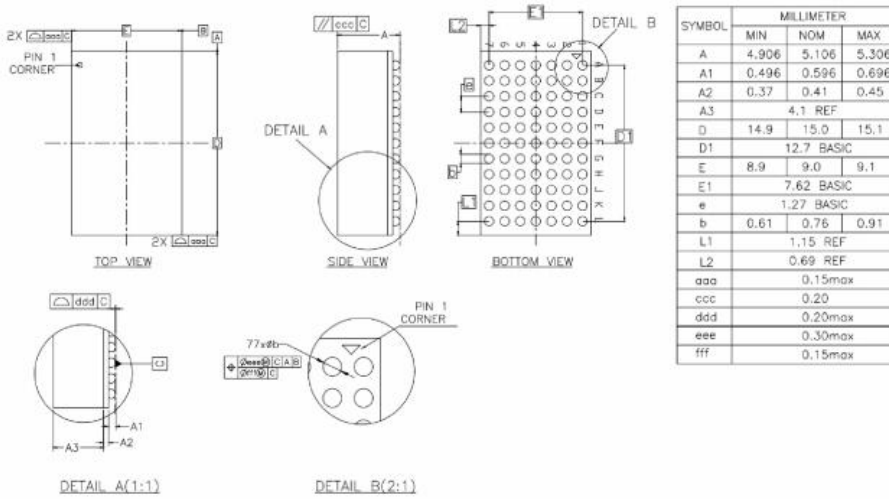
Supported by the rapid development of China’s semiconductor industry, Langma Innovation deeply serves domestic special industries and has delivered high- performance, high- precision, high- reliability, and cost- effective domestic chips in large volumes.

In the future, the company will continue to build a national leading brand, providing more comprehensive solutions for communications, radar, computing, artificial intelligence, automation, naval vessels, aviation, aerospace, and other equipment fields, and promoting industrial innovation and development.

典型应用原理图



外形尺寸图



内部原理框图

